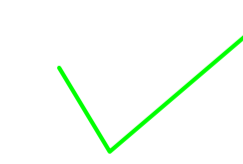
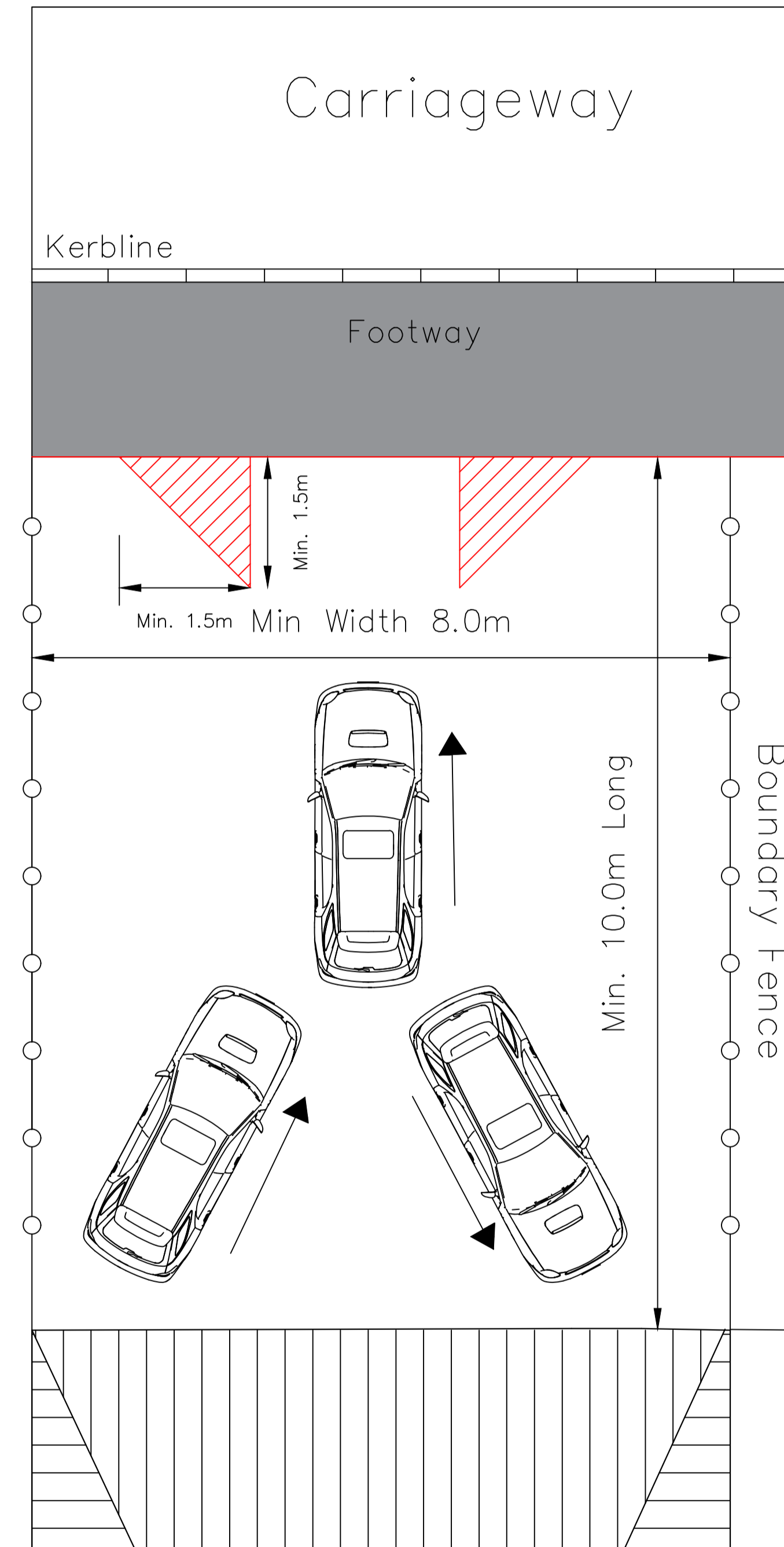
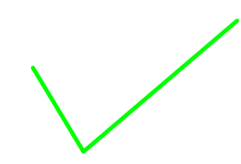
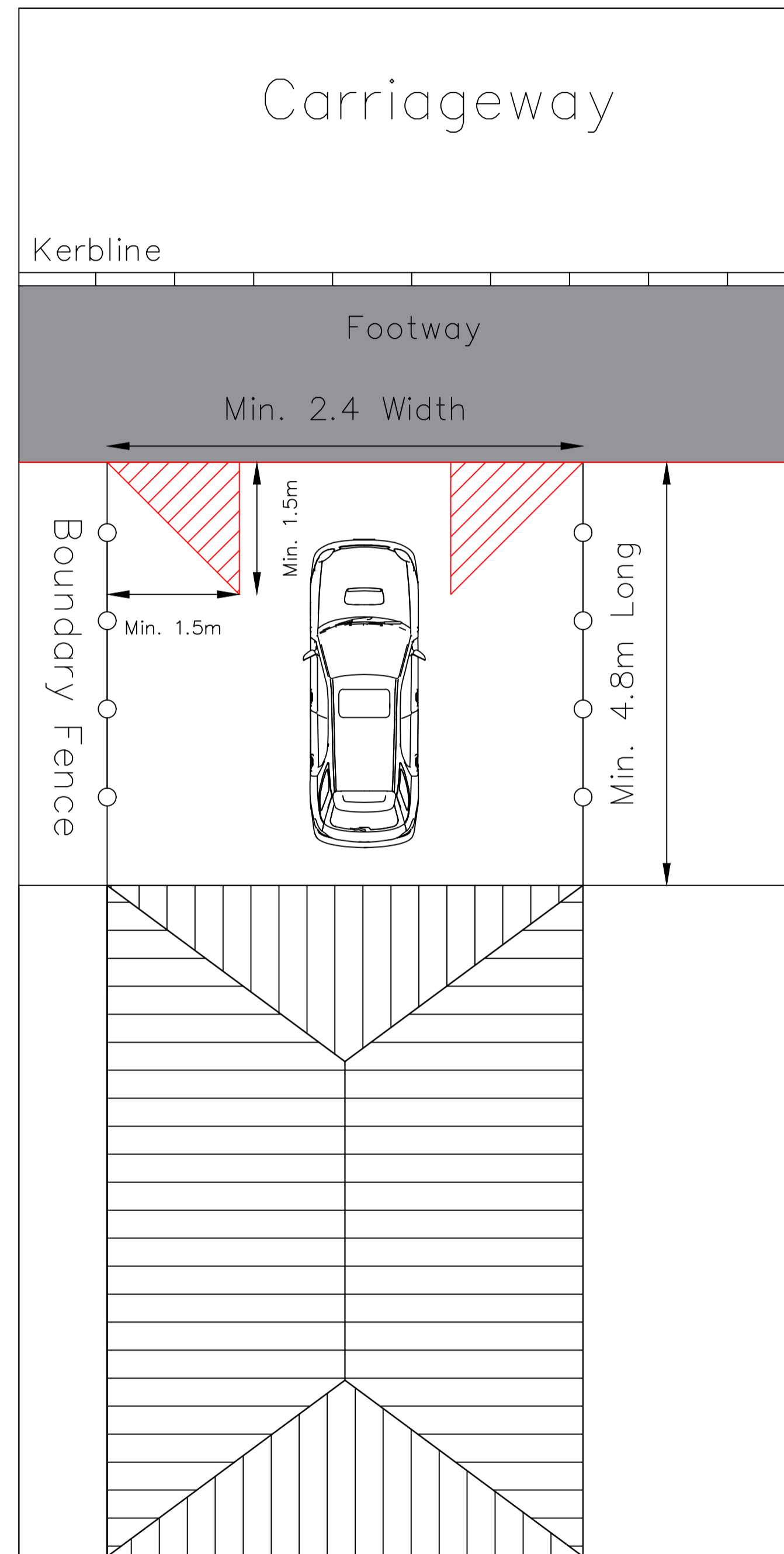
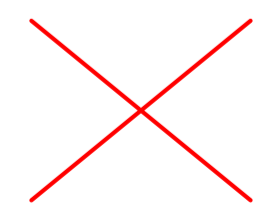
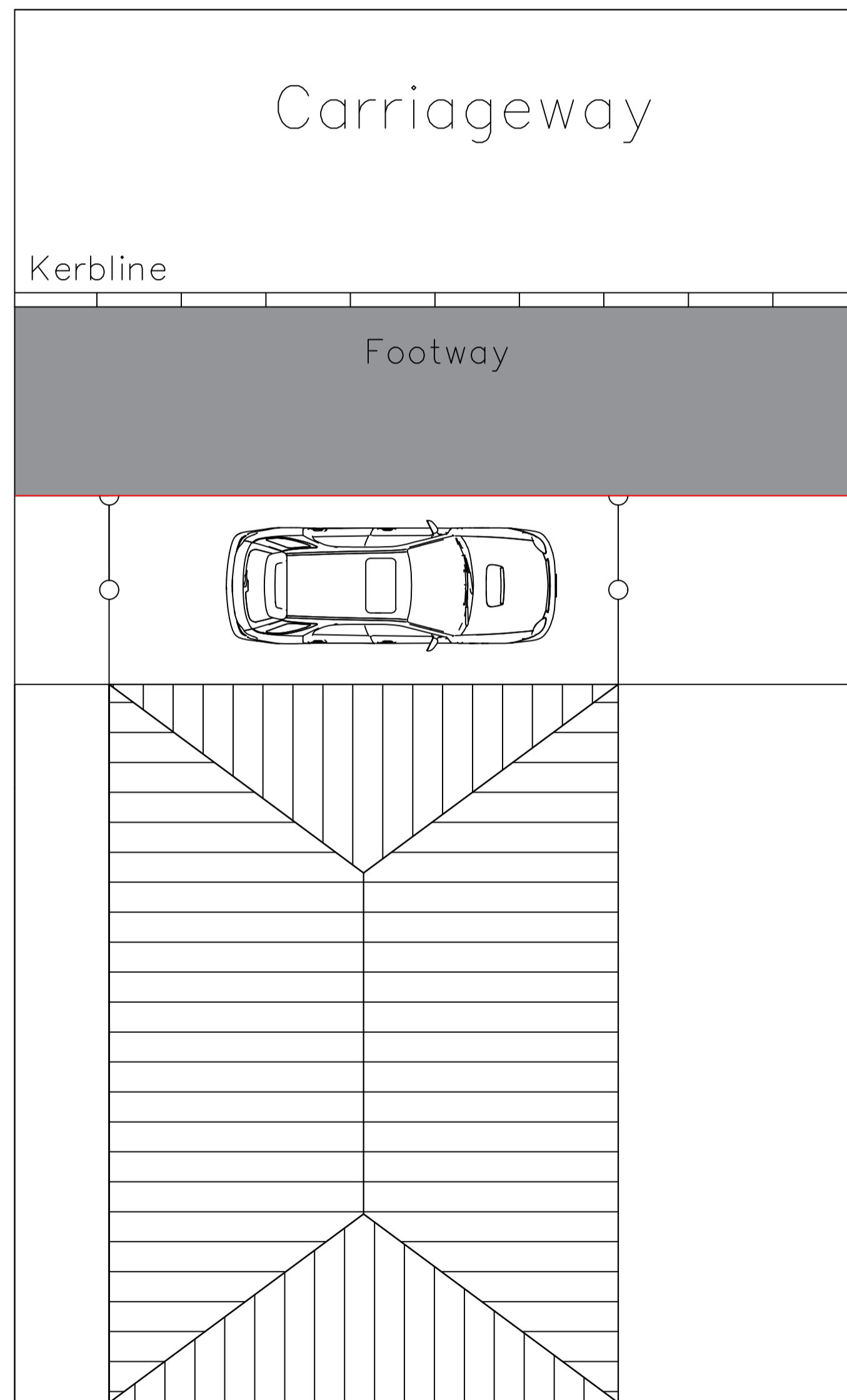




NOTES
 Visibility splay required

NON-CLASSIFIED ROADS

CLASSIFIED ROAD NETWORK (SRN)



Any other parking arrangement will NOT be acceptable.

REV	DRAWN	SIG	DATE	CHKD	SIG	DATE	APP	SIG	DATE
-	-	-	-	-	-	-	-	-	-

This map is reproduced from Ordnance Survey material with the permission of Ordnance Survey on behalf of the Controller of Her Majesty's Stationery Office. Crown copyright. Unauthorised reproduction infringes Crown copyright and may lead to prosecution or civil proceedings. London Borough of Croydon. Licence No. 100017660. 2014

JOB NAME
PROPOSED AREA & VISIBILITY

DRAWING TITLE
VEHICLE CROSSOVER & VISIBILITY

DESIGNER	VERIFIED	SCALE AT A1	DATE
DO	BF	1:50	02/03/21

PLACE DEPARTMENT

HIGHWAY DEVELOPMENT

DRAWING NO

L:\CivEng\Highways\0000 Drawings Library\TITLE BLOCKS\New Croydon Logo.jpg